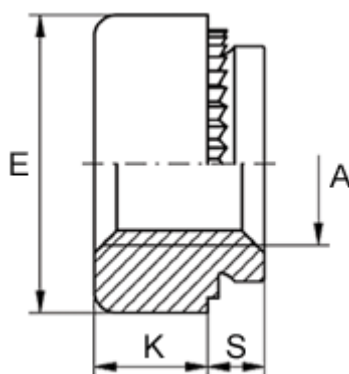


Article number: 12500000080100
Description: KLEE-coil 500 000 080.100
M8 Hardened, zinc-pl./chr. yellow

Measures



Female thread A	= M8
Height K	= 6.0
Max recess height	= 1.0
Min distance to edge	= 5.0
Outer diameter E	= 13.0
Plate thickness	= 1.0 to 1.3
Recommended bore diameter +0.05	= 11.00